

# Verge Column Protector Range



The **Verge Column Protector** range safeguards your building support column and downpipes from structural damage by protecting them from vehicle impact! Structural columns are common in industrial facilities and are often located in busy traffic areas.

Any vehicle impact on columns can threaten the structural integrity of your building and result in damage that is costly to repair. With the typical process of repair involving structural engineers, temporary roof support systems and time consuming insurance claims, we recommend installing a quality Column Protector before the damage is done!

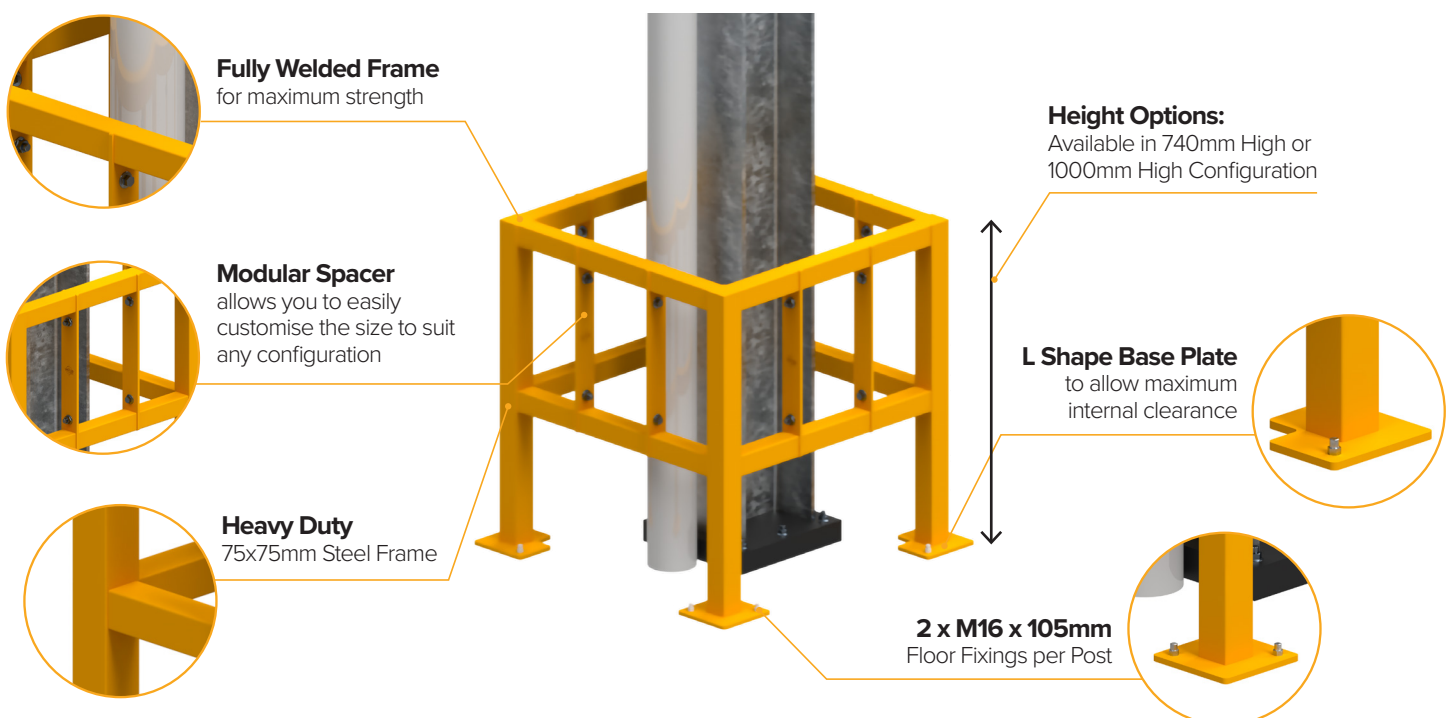
**Verge Safety Barriers** offers a comprehensive combination of Column Protectors to suit all sizes of standard columns plus two height options depending on the typical vehicle traffic in the area.

Looking for a Polymer Column Protection solution? Speak to our team today about our Impact Polymer Barrier range!



## Features and Benefits

- ✓ Australian Made
- ✓ Available in stock in Australia for prompt dispatch
- ✓ Fully welded frames for superior strength
- ✓ Quality Powdercoat Finish – Safety Yellow
- ✓ Supplied as a complete kit for easy installation
- ✓ 10 Year Warranty



1800 765 535



sales@verge.com.au



vergesafetybarriers.com.au

# Verge Column Protector Range



## Specifications

	CODE	DESCRIPTION	HEIGHT	INTERNAL LXW	COMPONENTS				
					QUARTER FRAME	SPACER	M16X105 FLOOR FIXINGS	M12X80 WALL FIXINGS	JOINING BOLTS
	EV350	COLUMN PROTECTOR QUARTER	740mm	175 x 175mm	1	-	2	-	-
	EV370	COLUMN PROTECTOR QUARTER	1000mm	175 x 175mm	1	-	2	-	-
	EV352	COLUMN PROTECTOR SQUARE	740mm	350 x 350mm	4	-	8	-	8
	EV372	COLUMN PROTECTOR SQUARE	1000mm	350 x 350mm	4	-	8	-	8
	EV353	COLUMN PROTECTOR HALF	740mm	350 x 175mm	2	-	4	4	2
	EV373	COLUMN PROTECTOR HALF	1000mm	350 x 175mm	2	-	4	4	2
	EV354	COLUMN PROTECTOR SQUARE	740mm	650 x 650mm	4	4	8	-	16
	EV374	COLUMN PROTECTOR SQUARE	1000mm	650 x 650mm	4	4	8	-	16
	EV355	COLUMN PROTECTOR HALF	740mm	650 x 175mm	2	1	4	4	4
	EV375	COLUMN PROTECTOR HALF	1000mm	650 x 175mm	2	1	4	4	4
	EV356	COLUMN PROTECTOR RECTANGLE	740mm	650 x 350mm	4	2	8	-	12
	EV376	COLUMN PROTECTOR RECTANGLE	1000mm	650 x 350mm	4	2	8	-	12
	EV357	COLUMN PROTECTOR HALF	740mm	350 x 475mm	2	2	4	4	6
	EV377	COLUMN PROTECTOR HALF	1000mm	350 x 475mm	2	2	4	4	6



1800 765 535



sales@verge.com.au



vergesafetybarriers.com.au